



14 Sword Street, Auburn, MA 01501

Phone: 508-799-7812

Email: [www.dsmanufacturing@aol.com](mailto:www.dsmanufacturing@aol.com)

Fax: 508-753-3468

Website: [www.granulating-knives.com](http://www.granulating-knives.com)

# Knife Quotation Request

Company Name \_\_\_\_\_

Contact \_\_\_\_\_

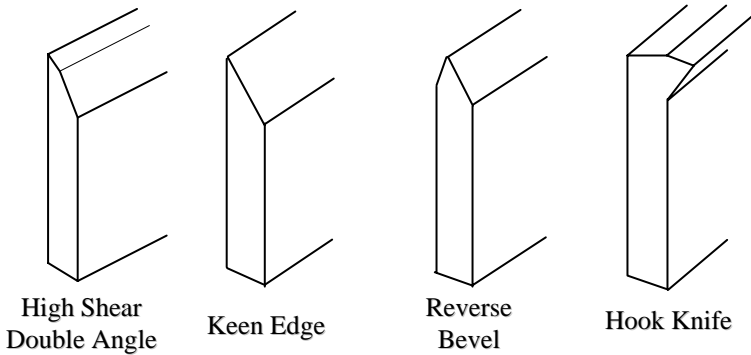
Phone (\_\_\_\_\_) \_\_\_\_\_

Fax (\_\_\_\_\_) \_\_\_\_\_

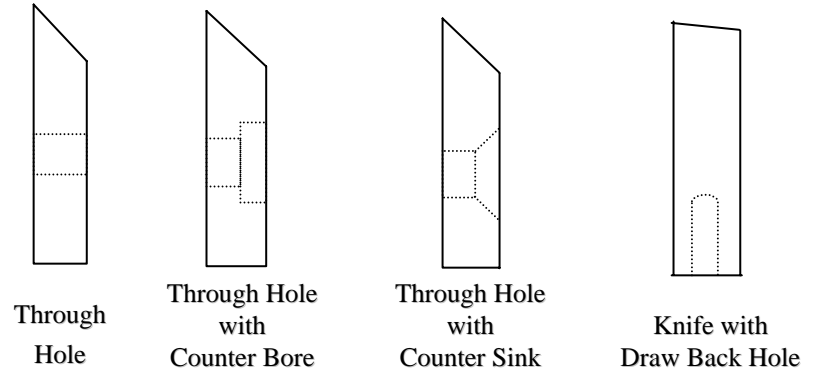
Equipment Make \_\_\_\_\_

Model Number \_\_\_\_\_

## Choose an Edge Profile

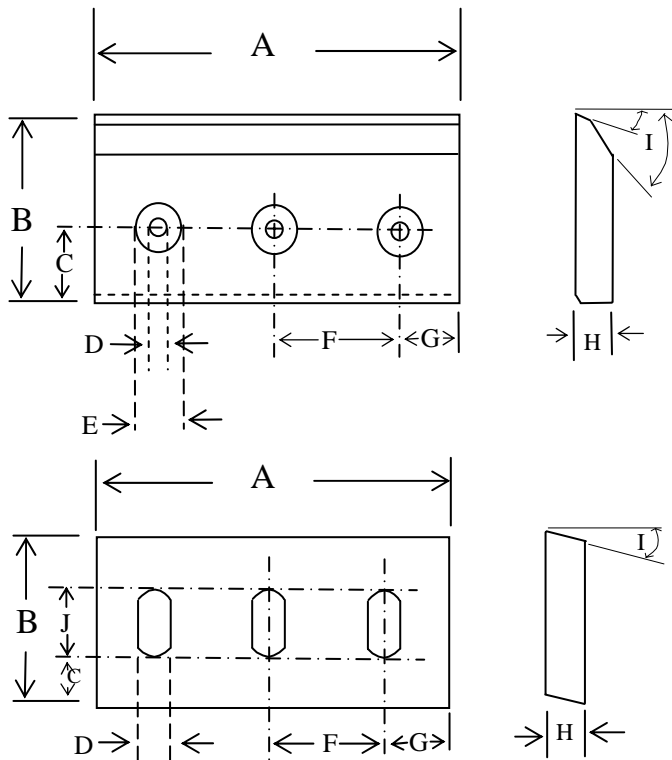


## Choose a Hole Geometry



**\*\*\* Are the knives being measured New  or Used**

**Fill in the dimensions.**



| ROTOR KNIVES  |               |                        |                       |                          |                                    |                        | QTY ____/Set           |                  |   |
|---------------|---------------|------------------------|-----------------------|--------------------------|------------------------------------|------------------------|------------------------|------------------|---|
| "A"<br>LENGTH | "B"<br>HEIGHT | "C"<br>HEEL TO<br>HOLE | NUMBER<br>OF<br>HOLES | "D"<br>THRU HOLE<br>DIAM | "E"<br>COUNTER<br>SINK/BORE<br>DIM | "F"<br>HOLE TO<br>HOLE | "G"<br>EDGE TO<br>HOLE | "H"<br>THICKNESS | "I"<br>ANGLE(S)<br>PRIMARY<br>SECONDARY |
|               |               |                        |                       |                          |                                    |                        |                        |                  |   |
| BED KNIVES    |               |                        |                       |                          |                                    |                        | QTY ____/Set           |                  |   |
| "A"<br>LENGTH | "B"<br>HEIGHT | "C"<br>HEEL TO<br>SLOT | NUMBER<br>OF<br>SLOTS | "D"<br>SLOT DIAM         | "J"<br>SLOT<br>LENGTH              | "F"<br>SLOT<br>TO SLOT | "G"<br>EDGE TO<br>SLOT | "H"<br>THICKNESS | "I"<br>ANGLE                            |
|               |               |                        |                       |                          |                                    |                        |                        |                  |   |

